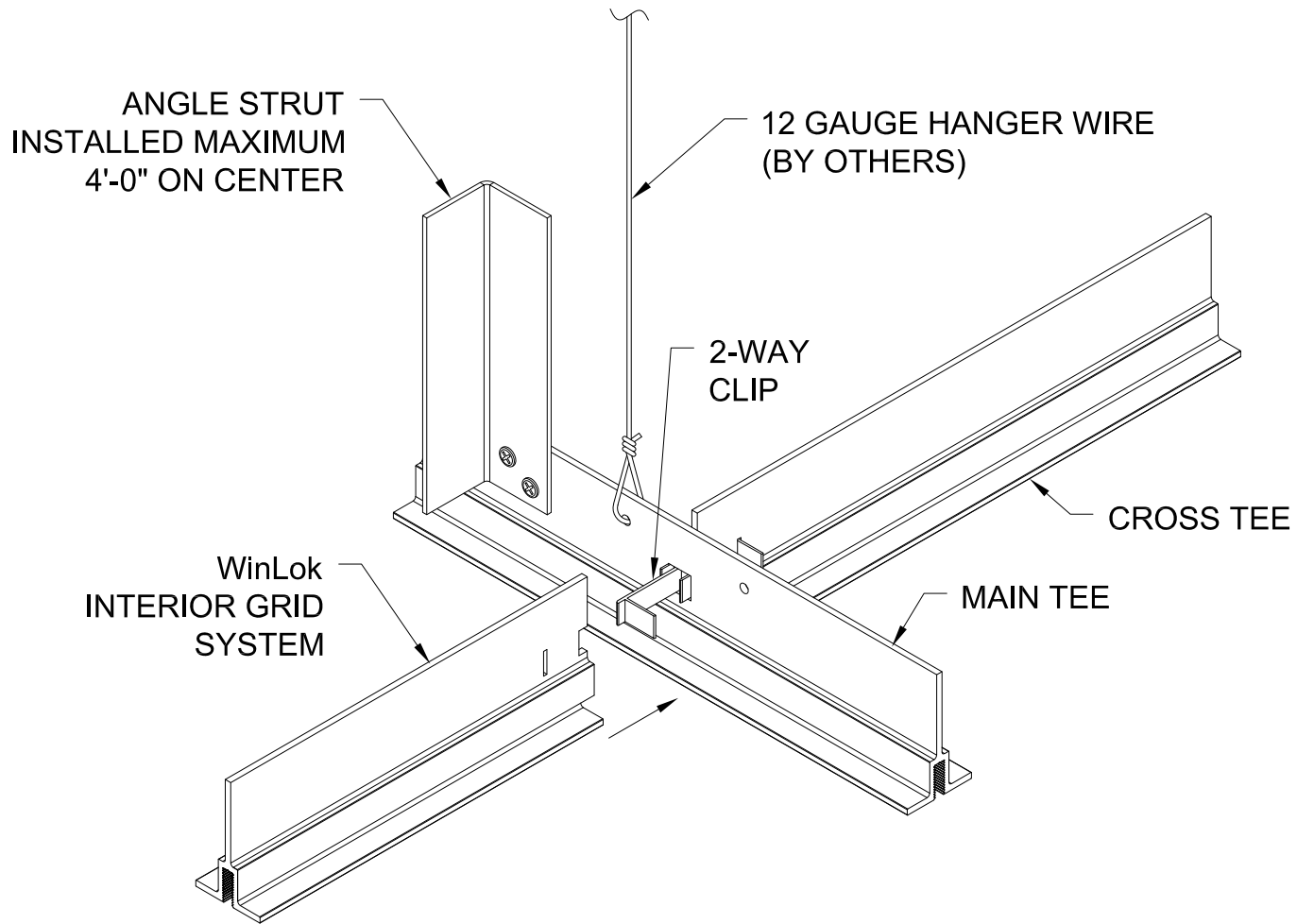


WinLok™ PATENT NO.:  
US 10,113,317 B1

**GORDON** © 5023 Hazel Jones Rd.  
Bossier City, LA 71111  
800.747.8954  
GORDON-INC.COM  
sales@gordon-inc.com

ARCHITECTURAL+ENGINEERED SOLUTIONS

MENTAL HEALTH CEILINGS  
WINLOK  
COMPRESSION STRUT GRID ASSEMBLY

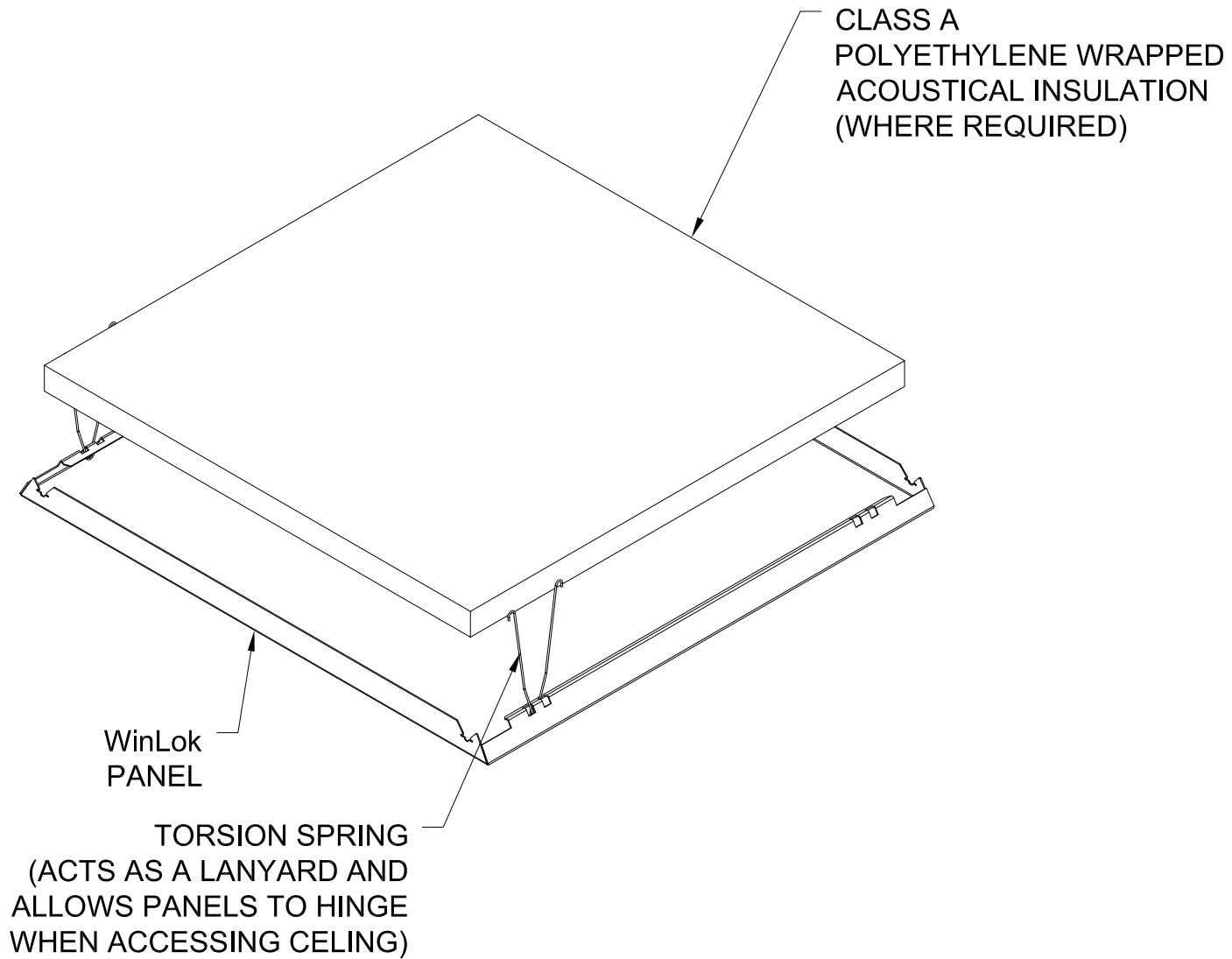


WinLok™ PATENT NO.:  
US 10,113,317 B1

**GORDON**®  
ARCHITECTURAL+ENGINEERED SOLUTIONS

5023 Hazel Jones Rd.  
Bossier City, LA 71111  
800.747.8954  
GORDON-INC.COM  
sales@gordon-inc.com

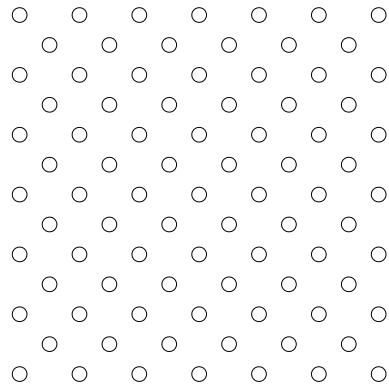
MENTAL HEALTH CEILINGS  
WINLOK  
ANGLE STRUT GRID ASSEMBLY



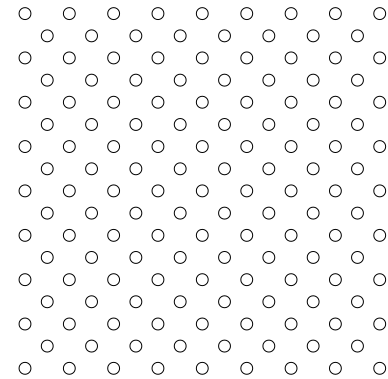
**GORDON**®  
ARCHITECTURAL+ENGINEERED SOLUTIONS

5023 Hazel Jones Rd.  
Bossier City, LA 71111  
800.747.8954  
GORDON-INC.COM  
sales@gordon-inc.com

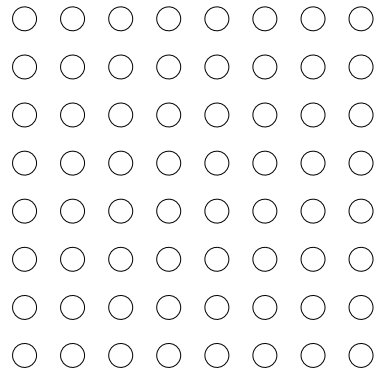
MENTAL HEALTH CEILINGS  
WINLOK  
PANEL ASSEMBLY DETAILS



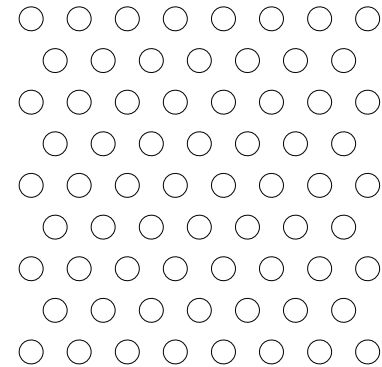
**R564-732DG10**  
**5/64" HOLES ON 7/32"**  
**DIAGONAL CENTERS**  
**10% OPEN AREA**



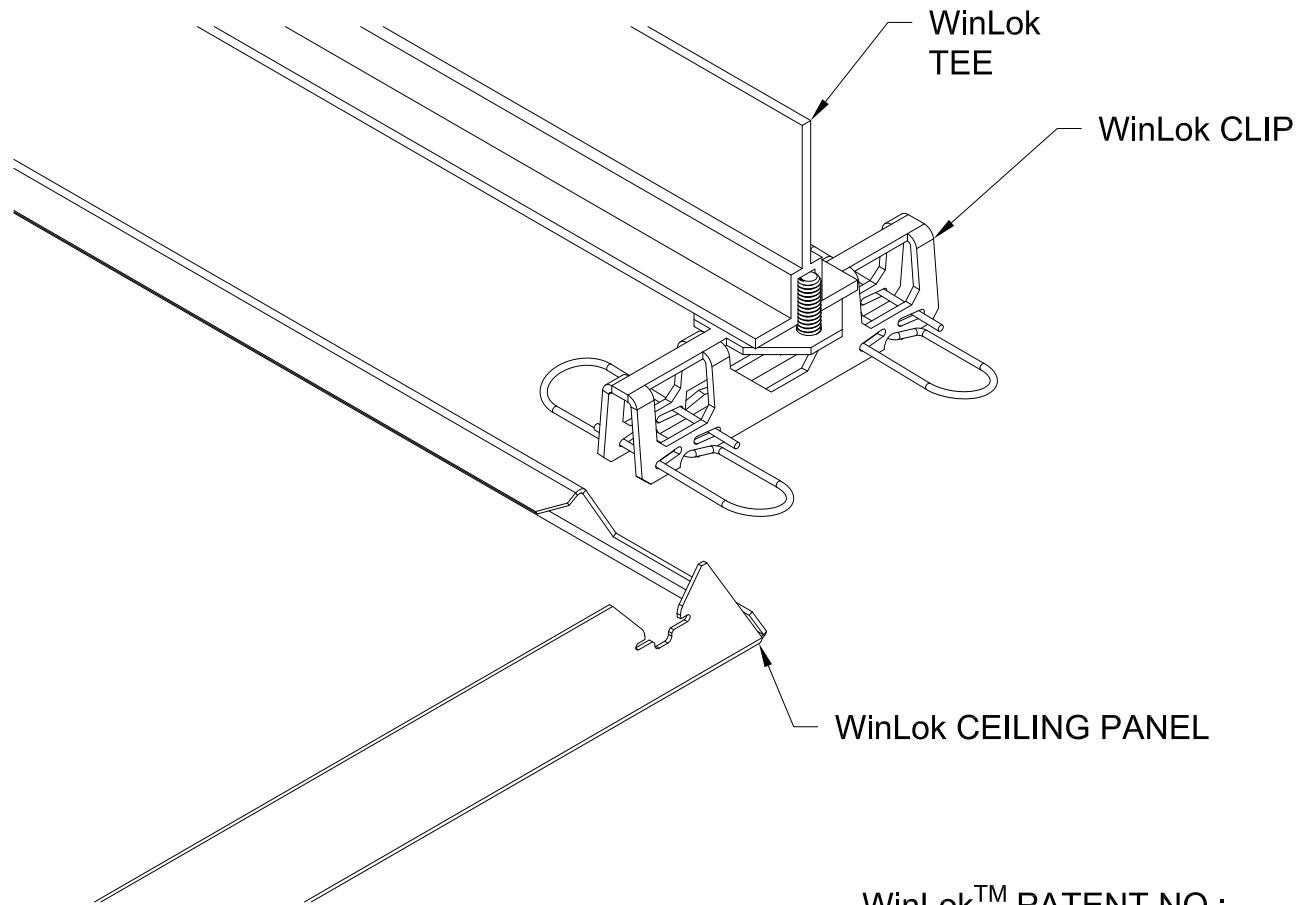
**R116-532DG12**  
**1/16" HOLES ON 5/32"**  
**DIAGONAL CENTERS**  
**12% OPEN AREA**



**R18-14ST20**  
**1/8" HOLES ON 1/4"**  
**STRAIGHT CENTERS**  
**20% OPEN AREA**



**R18-14SG23**  
**1/8" HOLES ON 1/4"**  
**STAGGERED CENTERS**  
**23% OPEN AREA**

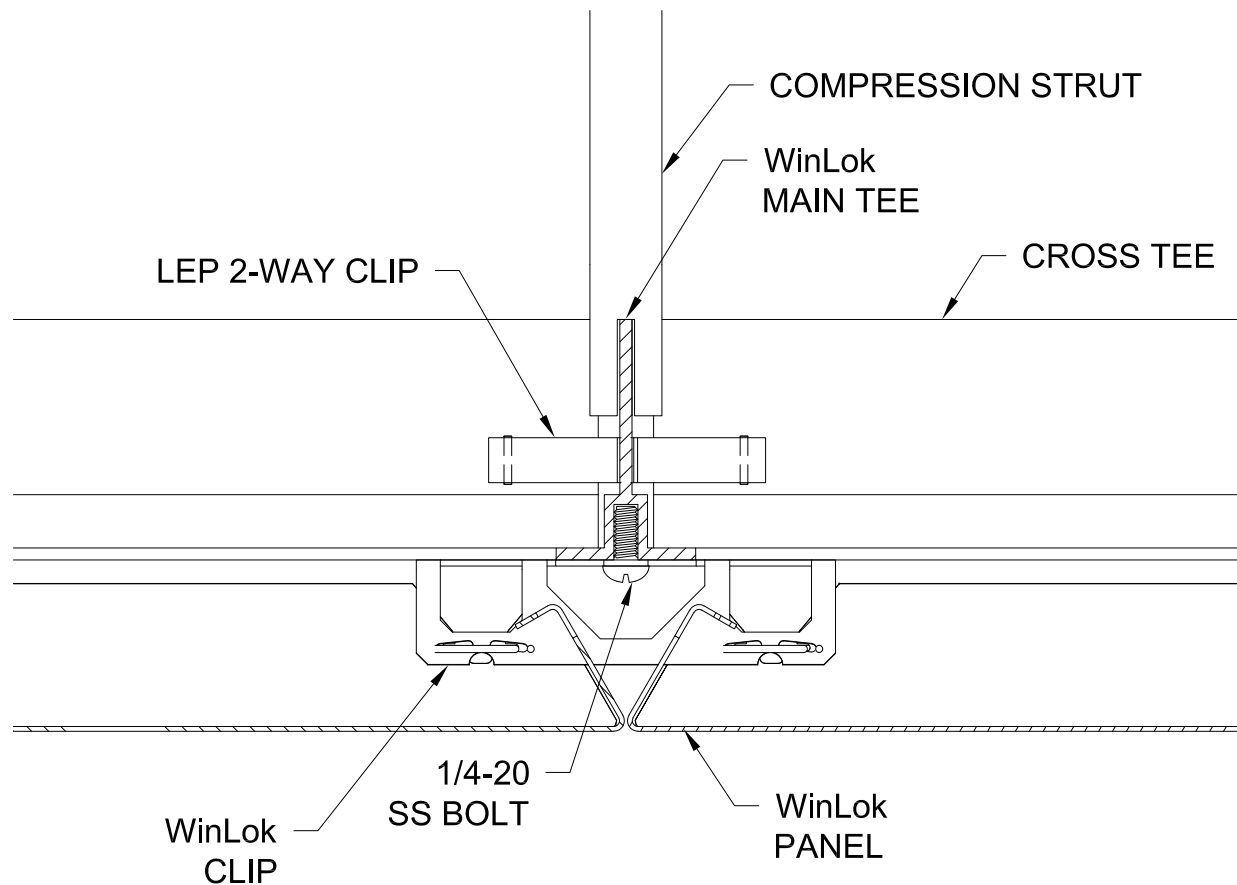


WinLok™ PATENT NO.:  
US 10,113,317 B1

**GORDON**®  
ARCHITECTURAL+ENGINEERED SOLUTIONS

5023 Hazel Jones Rd.  
Bossier City, LA 71111  
800.747.8954  
GORDON-INC.COM  
sales@gordon-inc.com

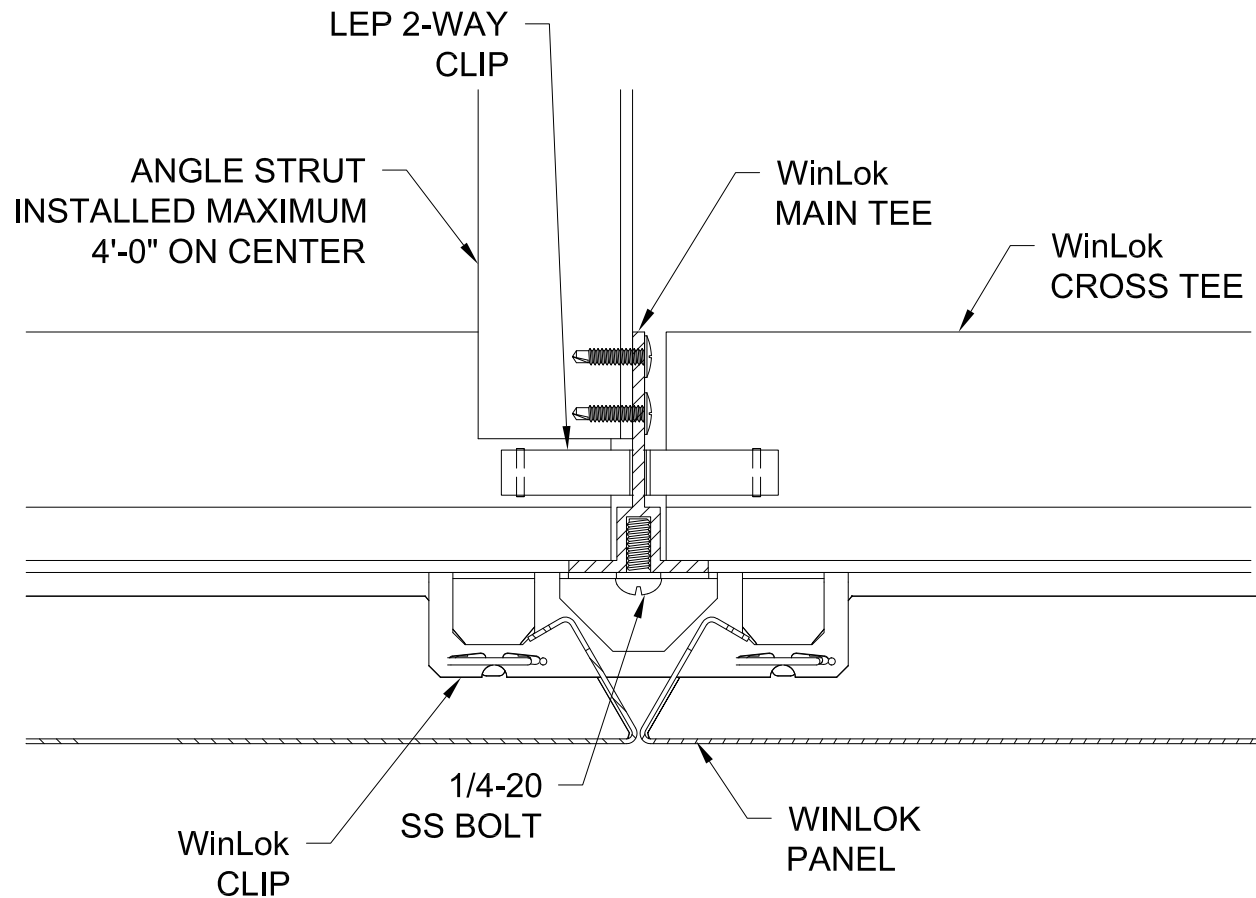
MENTAL HEALTH CEILINGS  
WINLOK  
PANEL INSTALLATION



WinLok™ PATENT NO.:  
US 10,113,317 B1

**GORDON** © 5023 Hazel Jones Rd.  
 ARCHITECTURAL+ENGINEERED SOLUTIONS Bossier City, LA 71111  
 800.747.8954  
 GORDON-INC.COM  
 sales@gordon-inc.com

MENTAL HEALTH CEILINGS  
 WINLOK  
 COMPRESSION STRUT PANEL JOINT SECTION

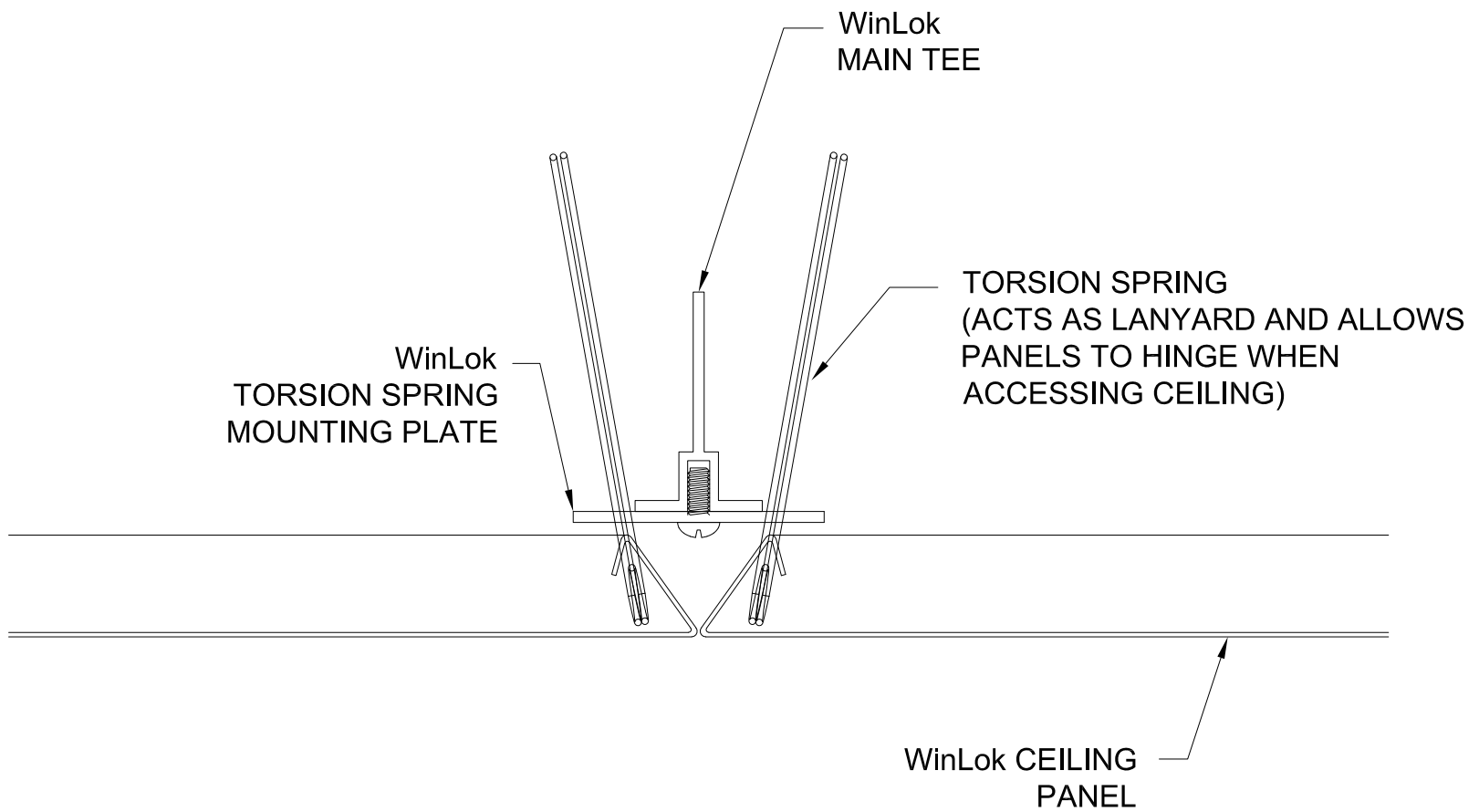


WinLok™ PATENT NO.:  
US 10,113,317 B1

**GORDON**®  
ARCHITECTURAL+ENGINEERED SOLUTIONS

5023 Hazel Jones Rd.  
Bossier City, LA 71111  
800.747.8954  
GORDON-INC.COM  
sales@gordon-inc.com

MENTAL HEALTH CEILINGS  
WINLOK  
ANGLE STRUT PANEL JOINT SECTION



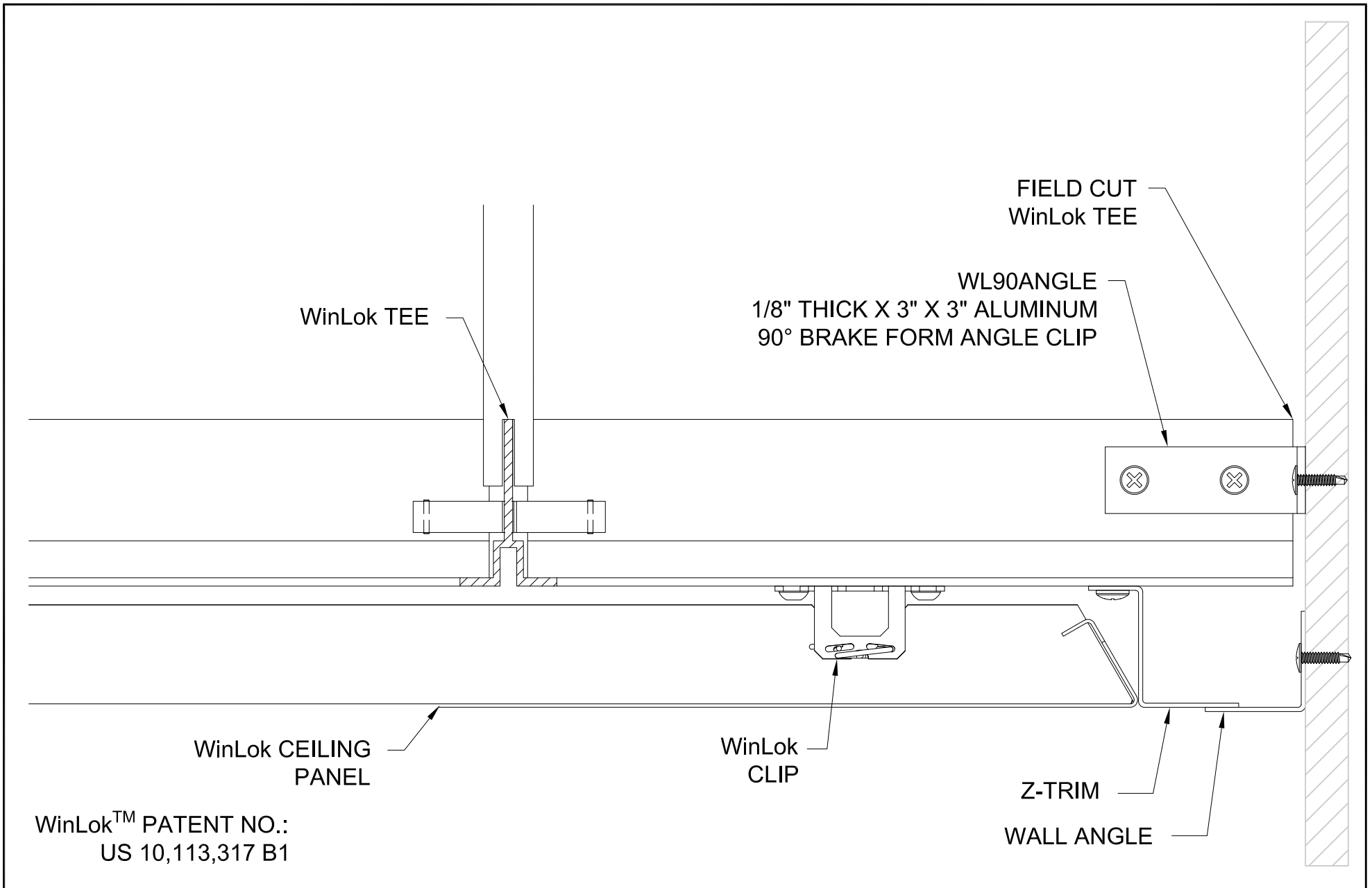
WinLok™ PATENT NO.:  
US 10,113,317 B1

**GORDON**®  
ARCHITECTURAL+ENGINEERED SOLUTIONS

5023 Hazel Jones Rd.  
Bossier City, LA 71111  
800.747.8954  
GORDON-INC.COM  
sales@gordon-inc.com

MENTAL HEALTH CEILINGS  
WINLOK  
TORSION PLATE SECTION

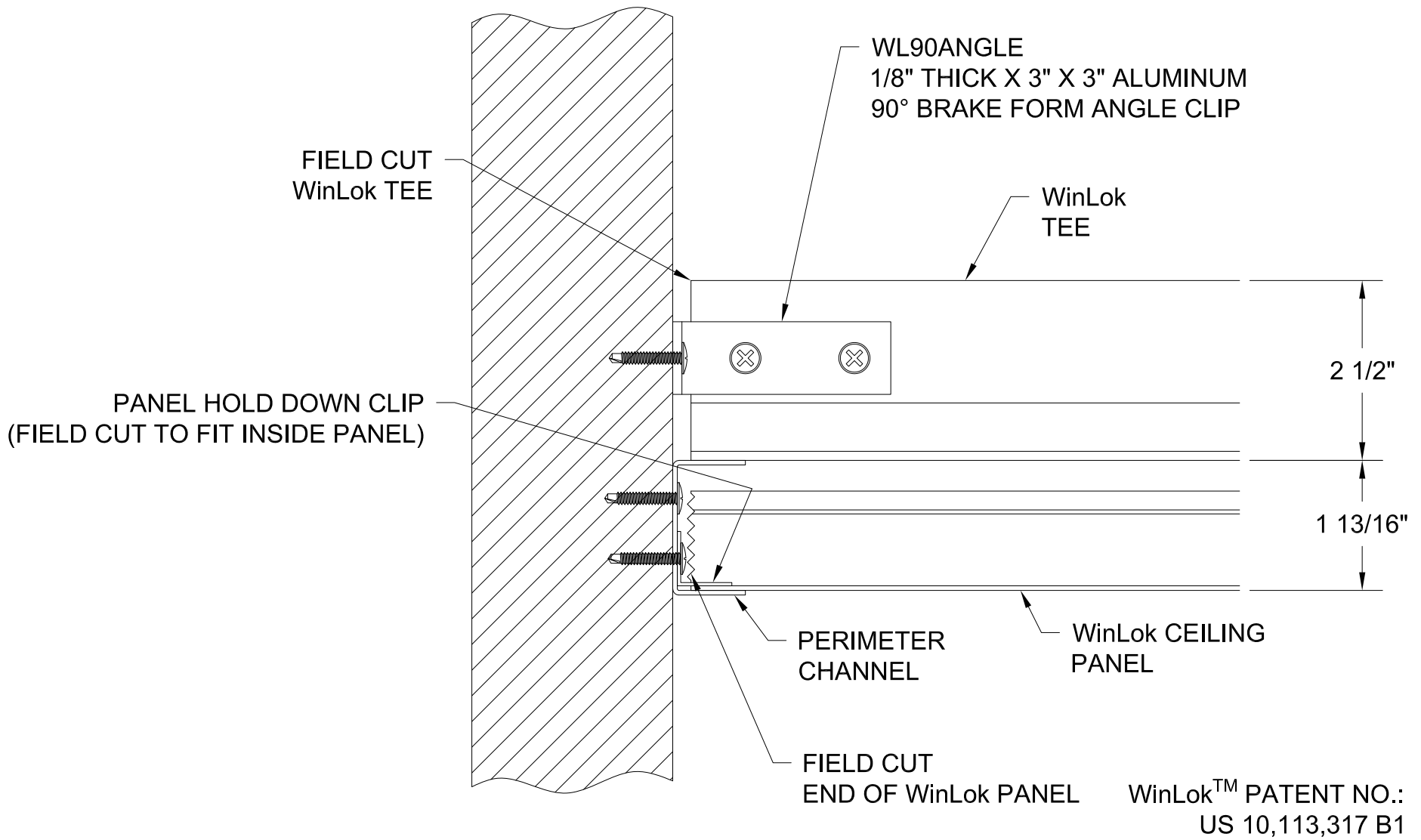


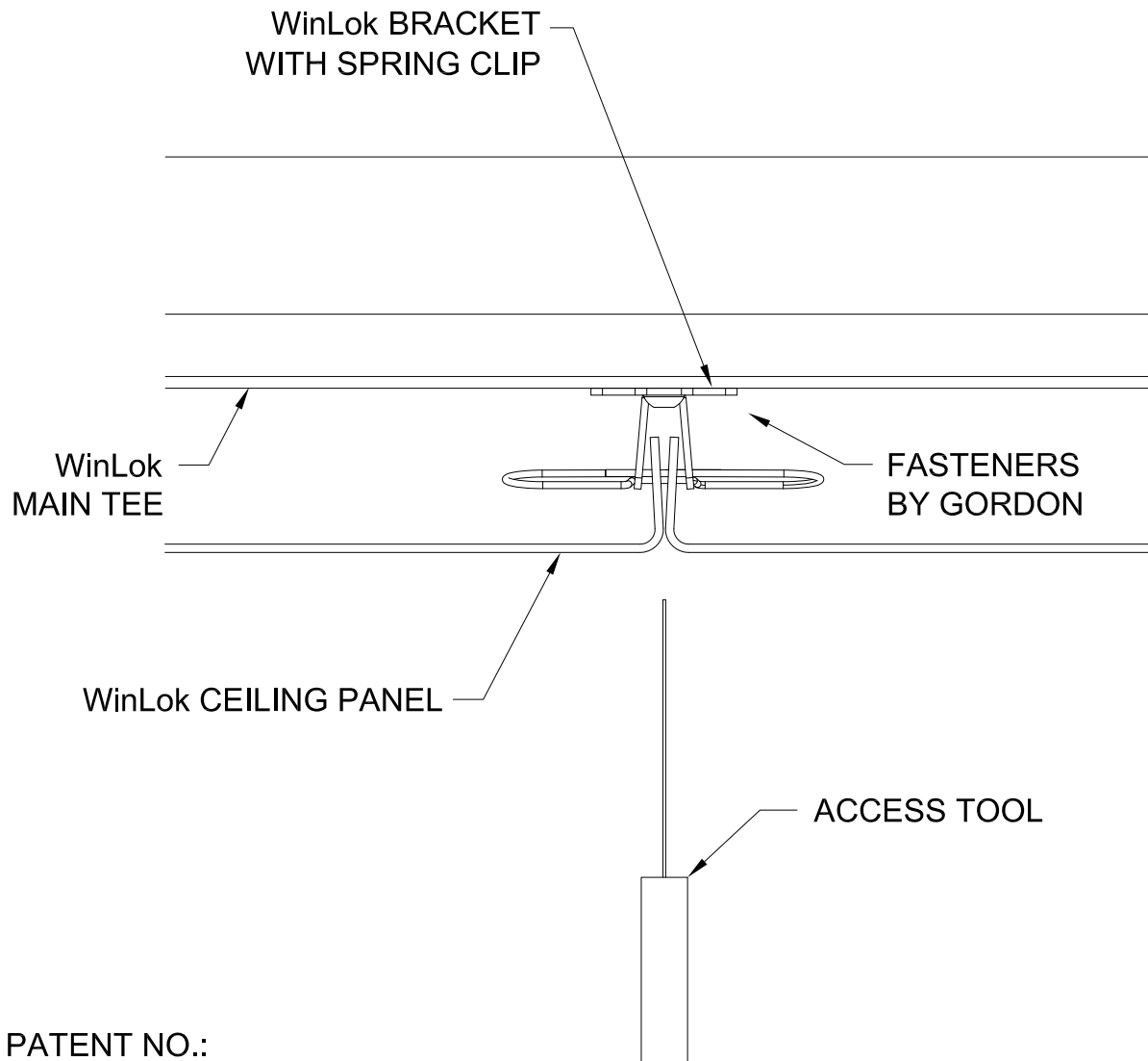


**GORDON**®  
ARCHITECTURAL+ENGINEERED SOLUTIONS

5023 Hazel Jones Rd.  
Bossier City, LA 71111  
800.747.8954  
GORDON-INC.COM  
sales@gordon-inc.com

MENTAL HEALTH CEILINGS  
WINLOK  
FLOATING PERIMETER SECTION



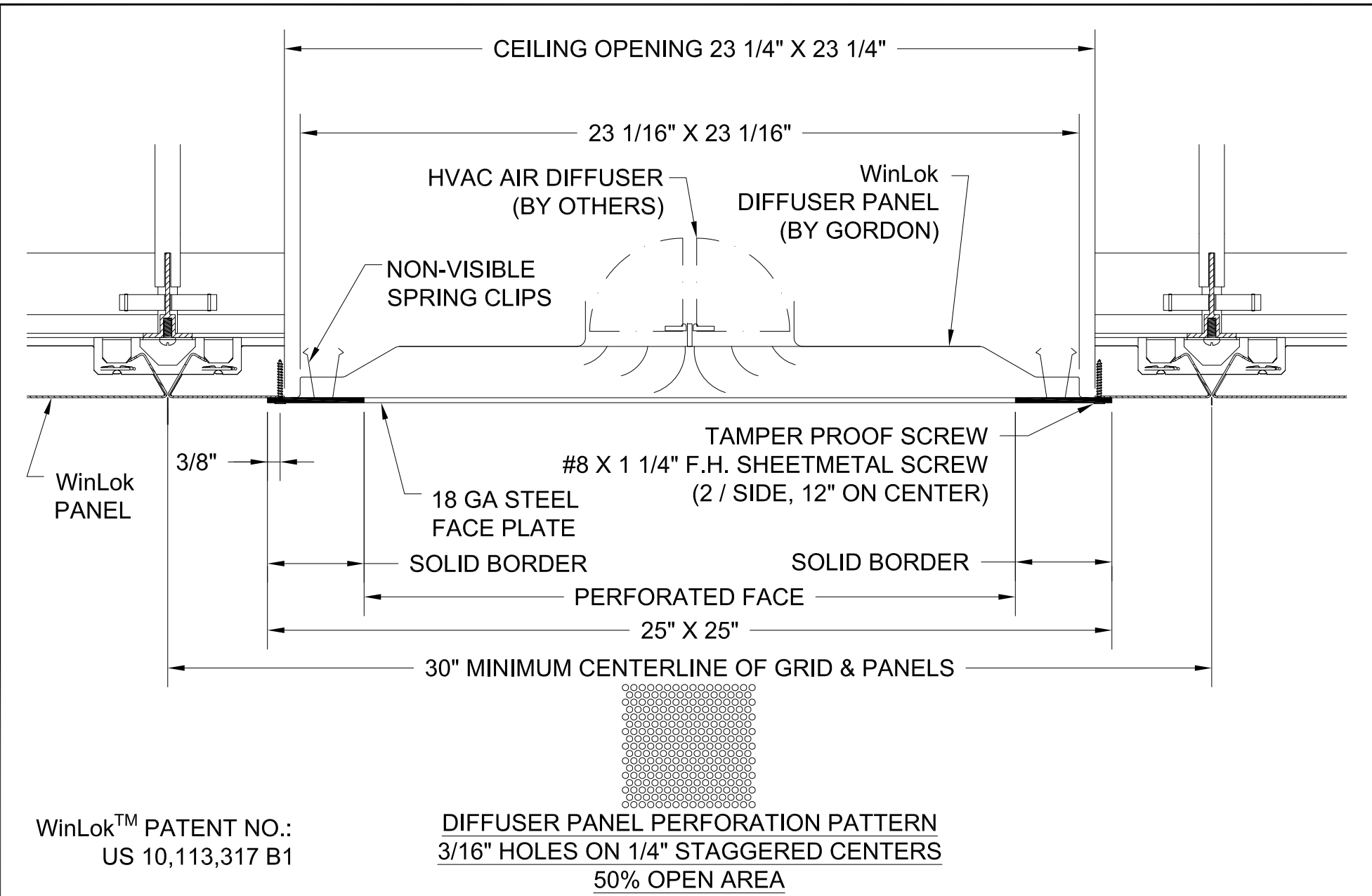


WinLok™ PATENT NO.:  
US 10,113,317 B1

**GORDON** ARCHITECTURAL+ENGINEERED SOLUTIONS

© 5023 Hazel Jones Rd.  
Bossier City, LA 71111  
800.747.8954  
GORDON-INC.COM  
sales@gordon-inc.com

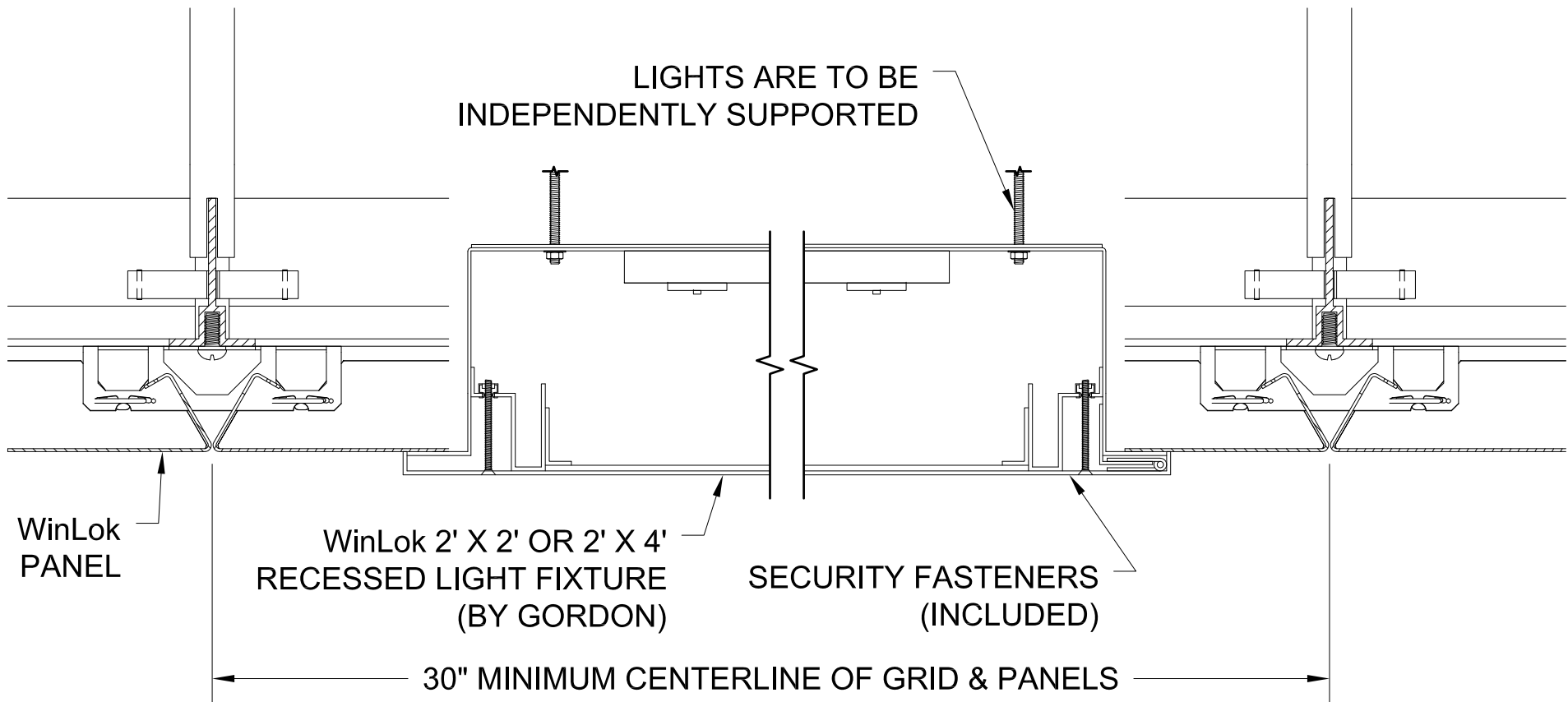
MENTAL HEALTH CEILINGS  
WINLOK  
ACCESS TOOL SECTION



**GORDON** ARCHITECTURAL+ENGINEERED SOLUTIONS

© 5023 Hazel Jones Rd.  
Bossier City, LA 71111  
800.747.8954  
GORDON-INC.COM  
sales@gordon-inc.com

MENTAL HEALTH CEILINGS  
WINLOK  
HVAC DIFFUSER SECTION

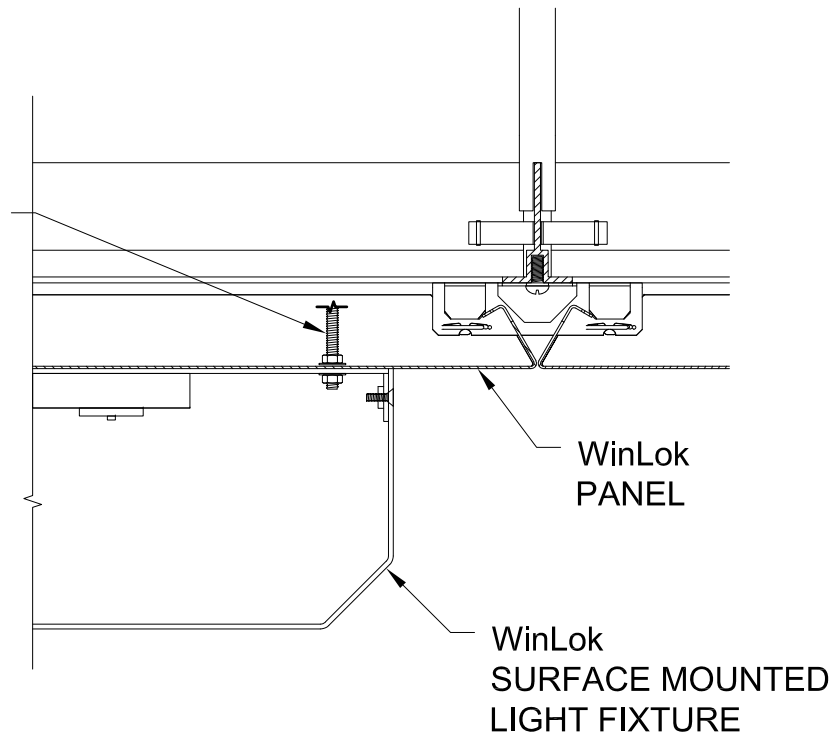


WinLok™ PATENT NO.:  
US 10,113,317 B1

**GORDON** © 5023 Hazel Jones Rd.  
ARCHITECTURAL+ENGINEERED SOLUTIONS Bossier City, LA 71111  
800.747.8954  
GORDON-INC.COM  
sales@gordon-inc.com

MENTAL HEALTH CEILINGS  
WINLOK  
RECESSED LIGHT SECTION

LIGHTS ARE TO BE  
INDEPENDENTLY  
SUPPORTED



WinLok™ PATENT NO.:  
US 10,113,317 B1

**GORDON**®  
ARCHITECTURAL+ENGINEERED SOLUTIONS

5023 Hazel Jones Rd.  
Bossier City, LA 71111  
800.747.8954  
GORDON-INC.COM  
sales@gordon-inc.com

MENTAL HEALTH CEILINGS  
WINLOK  
SURFACE LIGHT SECTION